



DEPENDABLE EMERGENCY COMMUNICATIONS
Electronic Micro Systems Inc.
125 Ricefield Lane • Hauppauge NY 11788
631-864-3699 • 800-527-9156 • Fax 631-864-2631
www.ElectronicMicroSystems.com

—A—
HALMA
GROUP
COMPANY

T900

RUGGED RING DOWN TELEPHONE

INSTALLATION AND OPERATION

1. INSTRUCTIONS

If the A700 yellow enclosure has been shipped prior to the telephone panel for advance mounting; (6) screws (part no. 68415) and a tool have been provided for assembly of the front panel to the A700 yellow enclosure. See Drawing SD9805-3D at the end of this document for mounting layout.

2. CASE ASSEMBLY

- 2.1 Place the assembled front panel into the enclosure, making sure that the RJ11 cable (roughly 20”) is plugged into the lightning arrestor.
- 2.2 Screw down the front panel using 68415 tamper resistant screws. (Be careful, the tips of the spanner bit break easy. If the screws are tight going in, use an 8-32 tap to clean out the holes).
- 2.3 Verify that the enclosure door is easy to open and shuts firmly. Do not let the sides of the latch hit the enclosure. Adjust set screw if necessary. When correct, fill the set screw hole with RTV sealant and smooth. Do not let it smear around the outside of the case. Wipe with clean rag.

3. FINAL TEST

Take clip leads from a test telephone and clip one lead to each of the test wires coming out of the case. There is no polarity. Do not let them short. Dial number and have someone answer, confirm full duplex communication.

4. PRODUCT SPECIFICATIONS

4.1 MECHANICAL

Enclosure:	.20 cast aluminum (NEMA-4)
Phone Panels:	.125" aluminum w/brushed and anodized finish
Seals:	One piece gasket on rear perimeter and all thru-hole protrusions
Dimensions, Outside:	12.9 x 9.4 x 5.9 inches (HxWxD)
Connections External:	Two terminal posts at surge suppressor
Connections Internal:	Front panel removable with RJ-11 connector
Handset:	One piece w.6 ft. extended length Hytrel coil cord
Mounting Holes:	Four .390" holes in rear enclosure; accepts 3.8" hex flange bolts with seal washers
Conduit Access:	3/4-14 NPT conduit entry top and bottom top entry supplied with hole plugged and sealed
Operating Temp:	-20C (-4F) to +55C (+131F)
Weight:	13 Lbs.

4.2 ELECTRICAL

Max Loop Resistance: 1500 Ohms

LOOP START OPERATION:

Ringer Equivalence:	0.1 (optional)
Signaling:	Tone (DTMF)
Frequency Response:	300 Hz-3kHz

FCC Notice:

This equipment complies with Part 15 and part 68 of the FCC Rules. Operation subject to the following two conditions: (1) This device may not cause harmful interference, and (2) This device must accept any interference received, including interference that may cause undesired operation. On this unit is a label that contains, among other information, the FCC registration number and ringer equivalence number (REN) for this equipment. If requested, this number must be provided to the telephone company.

The REN is used to determine the number of devices that may be connected to a telephone line. Excessive RENs on a telephone line may result in the devices not ringing in response to an incoming call. In most but not all areas, the sum of RENs should not exceed five (5.0). To be certain of the number of devices that may be connected to a line, as determined by the total RENs, contact the local telephone company. For products approved after July 23, 2001, the REN for this product is part of the product identifier that has the format US:AAAEQ##TXXXX. The digits represented by ## are the REN without a decimal point (*e.g.*, 03 is a REN of 0.3). For earlier products, the REN is separately shown on the label.

If this equipment causes harm to the telephone network, the telephone company will notify you in advance that temporary discontinuance of service may be required. But if advance notice isn't practical, the telephone company will notify the customer as soon as possible. Also, you will be advised of your right to file a complaint with the FCC if you believe it is necessary.

The telephone company may make changes in its facilities, equipment, operations or procedures that could affect the operation of the equipment. If this happens the telephone company will provide advance notice in order for you to make necessary modifications to maintain uninterrupted service.

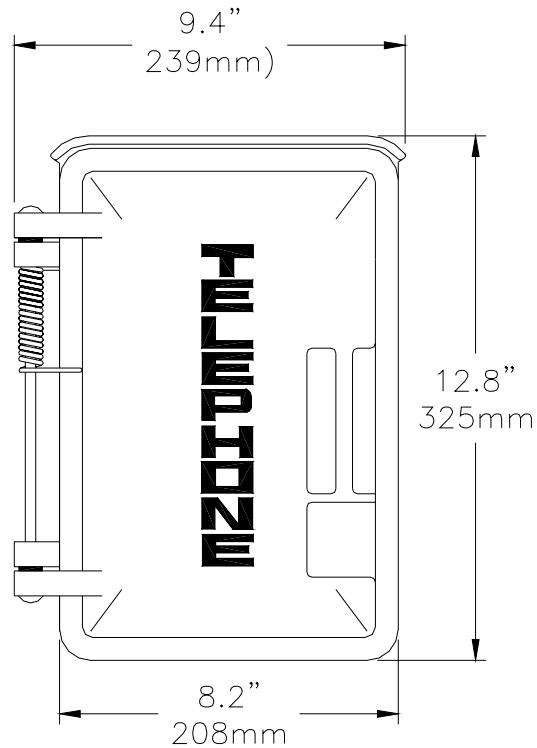
If trouble is experienced with this equipment, for repair or warranty information, please contact EMS 1-800-527-9156. If the equipment is causing harm to the telephone network, the telephone company may request that you disconnect the equipment until the problem is resolved.

Connection to party line service is subject to state tariffs. Contact the state public utility commission, public service commission or corporation commission for information.

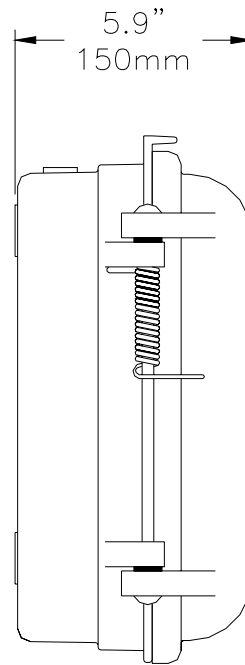
WHEN PROGRAMMING EMERGENCY NUMBERS AND

(OR) MAKING TEST CALLS TO EMERGENCY NUMBERS:

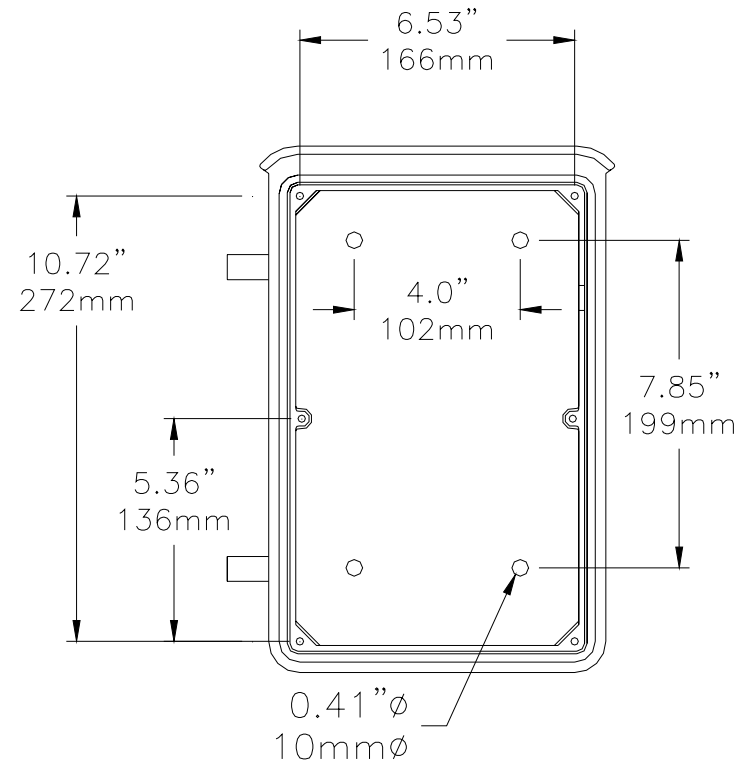
- 1) Remain on the line and briefly explain to the dispatcher the reason for the call.
- 2) Perform such activities in the off-peak hours, such as early morning or late evenings.



FRONT VIEW



SIDE VIEW



FRONT VIEW W/ DOOR REMOVED

1. MATERIAL: ALUMINUM ALLOY
2. 0.25" (6.4mm) WALL THICKNESS
3. YELLOW POWDER COAT W/ BLACK LETTERING
4. 3/4" (19mm) NPT HOLES (CAN BE REDUCED TO 1/2" (13mm) NPT WITH THREADED INSERT)
5. NON-LOCKING, SELF LATCHING ROLL-TYPE LATCH.

AE700 ENCLOSURE OVERALL DIMENSIONS

SD9805-3D



Janus Elevator Products/EMS

125 RICEFIELD LANE
HAUPPAUGE, N.Y. 11788
(631) 864-3699 FAX (631) 864-2631