

VPP T2100 Enclosures

Sound Innovation, On Call

AE740 • AE741 • AE745 • AE746



These steel, surface mount enclosures for the VPP T2100 series of emergency telephones are offered in two styles. Hooded versions offer extra weather protection to the telephone front panel, while the non-hooded versions can be used in more protected environments.

The enclosures are available in cold rolled steel, painted red, or in brushed stainless steel for harsher environments. "EMERGENCY" lettering silk-screened on the side is standard, non-lettered versions are available.



- AE740** Hooded Stainless Steel
 - AE741** Non-Hooded Stainless Steel
 - AE745** Non-Hooded Cold-Rolled Steel
 - AE746** Hooded Cold-Rolled Steel
- No Lettering Versions Available**
AE740NL • AE741NL • AE745NL • AE746NL

Features & Benefits

- Stainless Steel or Cold-Rolled Steel, Powder-Coated versions
- Hooded and non-Hooded versions available
- with or without "EMERGENCY" lettering
- Easy Mounting with VPP A753 Pole Mounting Kit

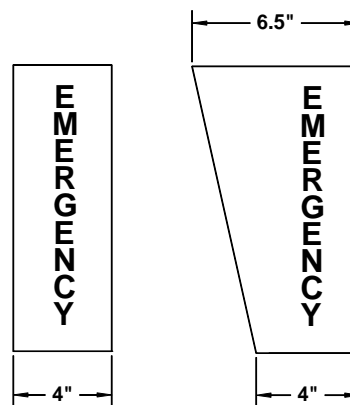
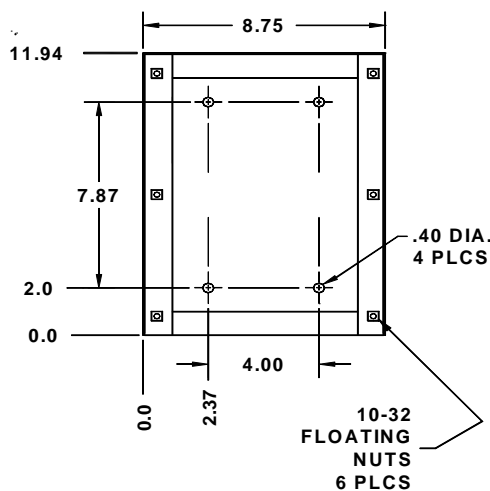
Specifications

Hooded Enclosures

- 11.94"H. x 8.75"W. x 4"/6.5"D.
- Material:
16 Ga. (.062") brushed stainless or
16 Ga. (.062") cold-rolled steel (Powder Coated)
- Weight: 7.3 lbs.

Non-Hooded Enclosures

- 11.94"H. x 8.75"W. x 4"D.
- Material:
16 Ga. (.062") brushed stainless steel or
16 Ga. (.062") cold-rolled steel (Powder Coated)
- Weight: 4.4 lbs.



T2100 Enclosures

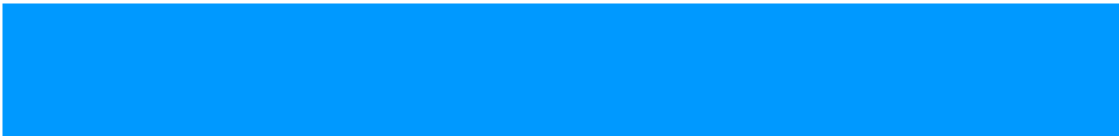
Multiple Styles to meet multiple needs



Electronic Micro Systems Inc.
www.electronicmicrosystems.com

125 Ricefield Lane
 Hauppauge, NY 11788
 Phone: (631) 864-4742

Toll Free: 800 333-3671
 Fax: (631) 864-4770
 E-mail: sales@emscmm.com

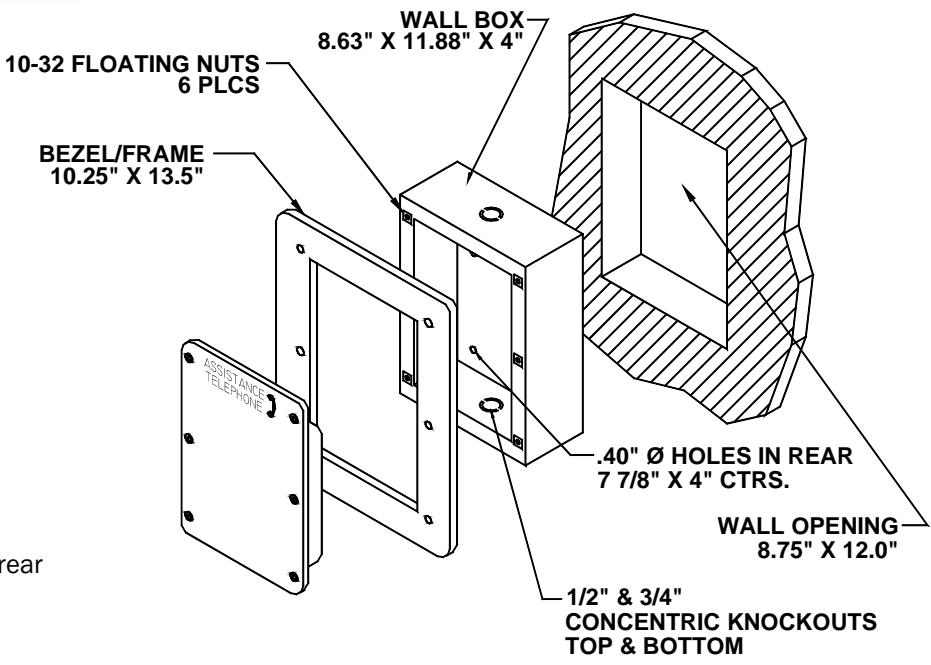


AE739 Flush Mount Enclosure

The AE739 enclosure is a painted, cold-rolled steel box that facilitates flush mounting any T2100 series telephone in a wall. The box contains knockouts for easy wiring access. Also included is a stainless steel bezel, which overlaps the box to hide rough-in.

Features & Benefits

- Simple in-wall mounting
- Easily cover rough-in
- Knockouts, top and bottom, for wiring access
- Increased environmental resistance



Mechanical Specifications

AE739 Wall Box

- 11.88"H. x 8.63"W x 4"D
- Material: Painted cold-rolled steel
- Weight: 4.4 lbs.
- Mounting Holes: (4) .40" holes in rear
7-7/8" x 4" Ctrs.

AE739 Bezel

- 13.5"H. x 10.25"W
- Material: 16 Ga. (.062") stainless steel
- Weight: 3.1 lbs.

Providing versatile solutions for you



Electronic Micro Systems Inc.
 www.electronicmicrosystems.com

125 Ricefield Lane
 Hauppauge, NY 11788
 Phone: (631) 864-4742

Toll Free: 800 333-3671
 Fax: (631) 864-4770
 E-mail: sales@emscmm.com